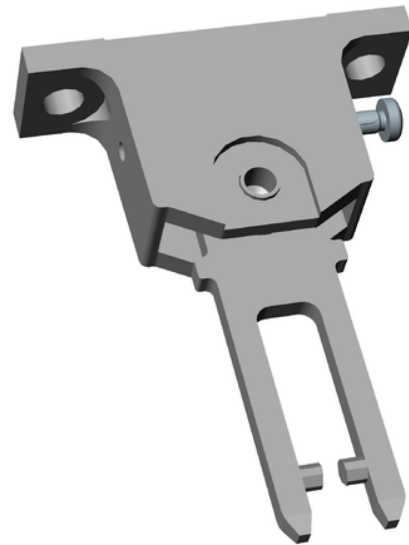


## RADIUSBETAETIGER-P-LRN (Order no. 074573)

Hinged actuator, left/right, for safety switch NP/GP/TP, increased overtravel

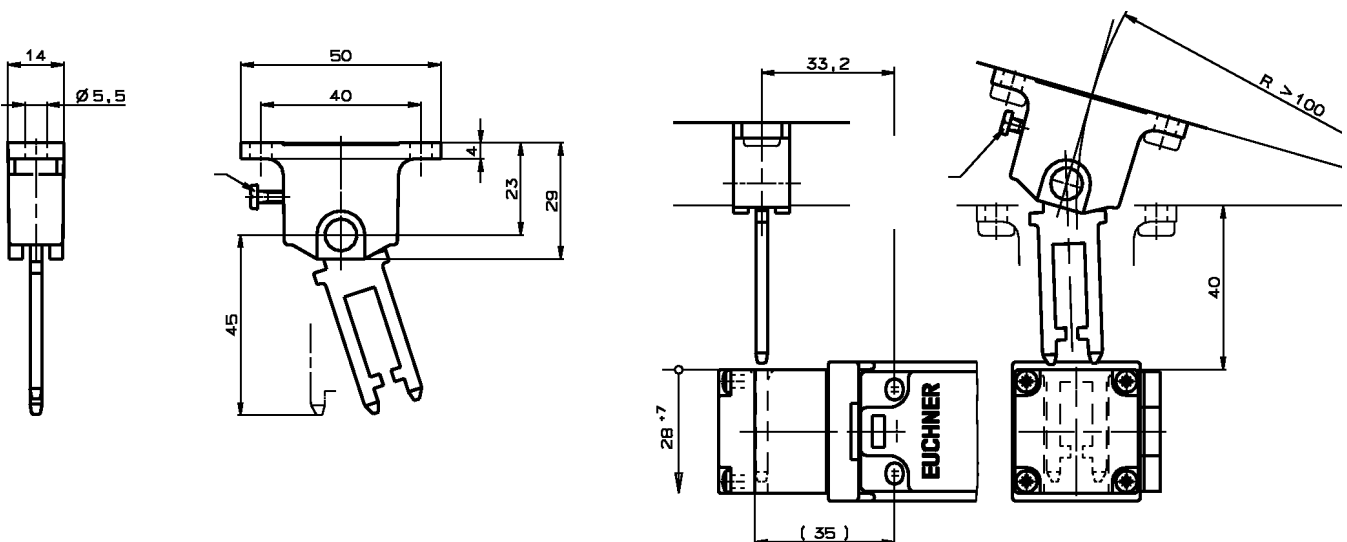
- ▶ Actuator made of stainless steel
- ▶ Two stainless-steel safety screws per actuator
- ▶ For doors hinged on the right and left



### Hinged actuators

For door radii less than 1000 mm a hinged actuator should be used. The spring action movement of the actuator prevents damage due to the actuator jamming in the actuating head. Depending on the movement of the guard, the actuator must be selected for left/right or top/bottom.

### Dimensional drawings



## Technical data

### Mechanical values and environment

Overtravel	max. 7 mm
Door radius	min. 100 mm
Material	
	Screw Stainless steel
	Actuator Stainless steel

### Miscellaneous

Usability of insertion funnel	yes
-------------------------------	-----

## Downloads

All documentation for this material can be found on our website:

<https://www.euchner.de/en-us/a/074573/?#downloads-tab>

**Ordering data**

Ordernumber	074573
Item designation	RADIUSBETAETIGER-P-LRN
Gross weight	0,041kg
Customs tariff number	85389099990
ECLASS	27-27-26-06 Actuator for safety-related position switch

## Accessories

### Mounting accessories

Mounting plates EMP-B1 for actuators for safety switches CTP, CTA, TP...A, STA, STP, TX and TZ



**093457**  
EMP-B1

### Safety screws M5 x 10

**073455**  
M5X10-NIRO/V100

- ▶ Safety screws M5 x 10
- ▶ Packaging unit 100 pieces